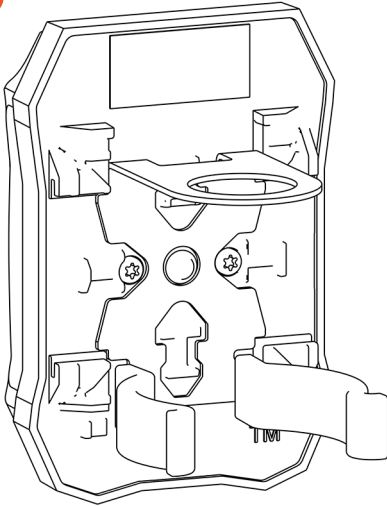


XMD COIL CLIP

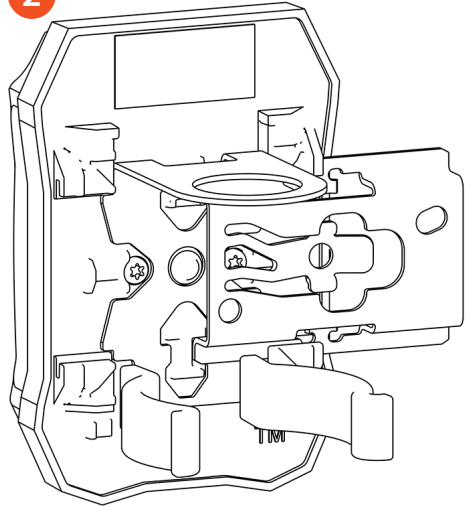
Installation Guide

For FLeX 740 Series Coils

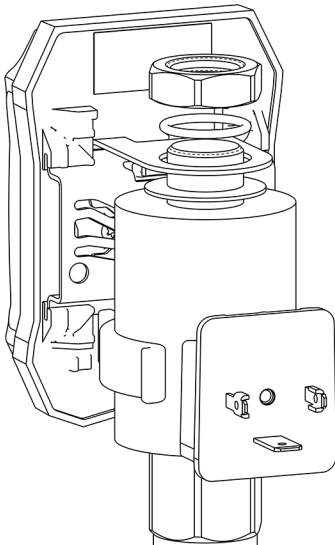
1



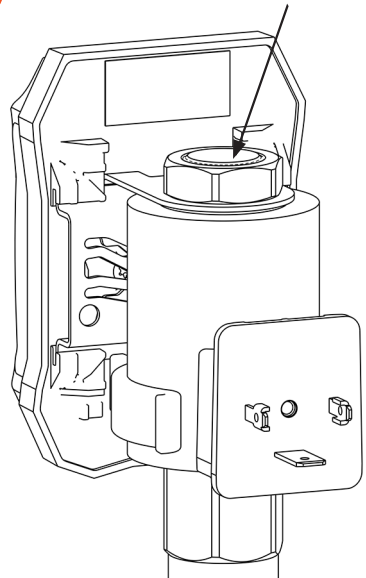
2



3



4



Must use nut supplied with FLeX coil clip kit.
Coil nut torque: 4.5 lbf in (0.51 N-m)

XMD COIL CLIP

Installation Guide

For 770 Series Coils

